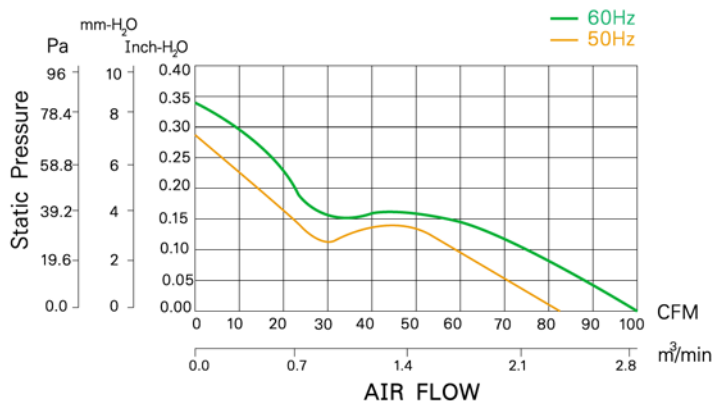


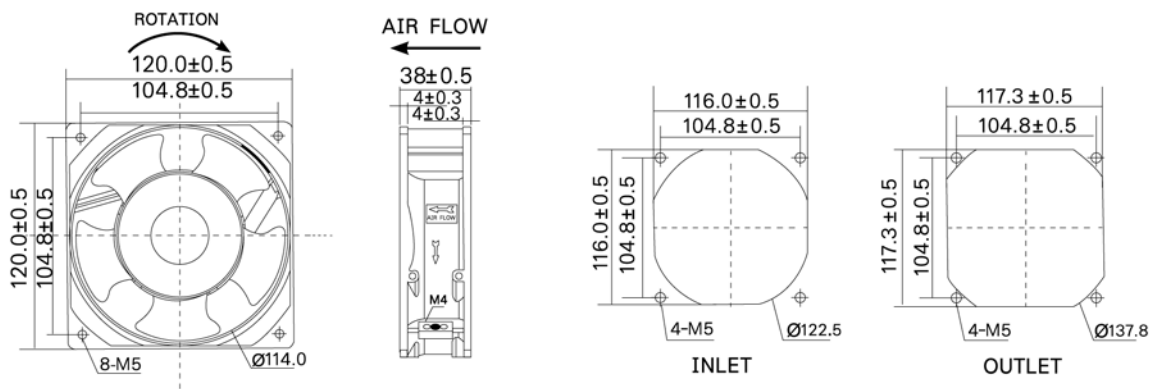


GENERAL SPECIFICATIONS

- FRAME SIZE : 120x120x38mm.
- HOUSING : ALUMINIUM ALLOY
- IMPELLER : MAGNESIUM ALLOY
- BEARING TYPE : BALL BEARING
- OPERATION TEMPERATURE : -10°C - +100°C
- RELATIVE HUMIDITY : 35% ~ 85%
- MOTOR : **SHADED POLE INDUCTION MOTOR**
IMPEDANCE PROTECTED



WB1238H5MS...



* หน่วย : mm. *

MODEL	VOLTAGE (VAC)	FREQ (HZ)	CURRENT (A)	POWER (W)	SPEED (RPM)	NOISE (DBA)	AIRFLOW (CFM)	ราคา/หน่วย (บาท)
WB1238H5MS-A1L-G(H.T.R.100)IP55	110-120	50/60	0.22/0.20	18/16	2700/3100	49/51	84/100	1,350.-
WB1238H5MS-A2L-G(H.T.R.100)IP55	220-240	50/60	0.12/0.10	18/16	2700/3100	49/51	84/100	1,350.-

