



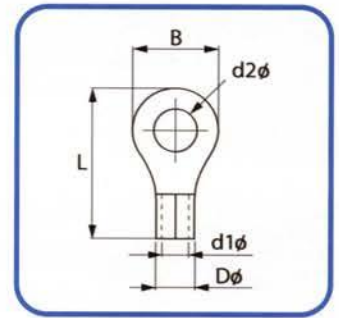
RING TERMINALS

หางปลากลมเปลือย

(R TYPE)

Material: E-Copper

Surface: Tin plated



Item No.	TIS Wire Size mm ²	DIMENSIONS (MM.)					AWG	DIN mm ²	Q'TY in box
		d2φ	B	L	Dφ	d1φ			
R 1.5-3	1.5	3.7	8.0	15.5	3.3	1.7	22-16	0.5-1.5	2,500
R 1.5-4		4.3							
R 1.5-5		5.3							
R 2.5-3	2.5	3.7	8.5	16.5	3.9	2.3	16-14	1.5-2.5	2,500
R 2.5-4		4.3							
R 2.5-5		5.3							
R 2.5-6		6.4							
R 4-4	4	4.3	8.8	18.4	5.0	3.0	14-12	2.5-4	2,000
R 4-5		5.3							
R 4-6		6.4							
R 6-4	6	4.3	9.5	19.8	5.4	3.4	12-10	4-6	2,000
R 6-5		5.3							
R 6-6		6.4							
R 6-8		8.4							
R 6-10		10.5							
R 10-6	10	6.4	12.0	23.8	6.9	4.5	8	10	1,000
R 10-8		8.4							
R 10-10		10.5							
R 16-6	16	6.4	12.0	28.5	8.8	5.8	6	16	500
R 16-8		8.4							
R 16-10		10.5							
R 25-6	25	6.4	16.5	34.5	11.3	7.7	4	25	250
R 25-8		8.4							
R 25-10		10.5							
R 25-12		13.0							
R 35-6	35	6.4	19.4	38.7	11.8	8.2	2	35	200
R 35-8		8.4							
R 35-10		10.5							
R 35-12		13.0							
R 50-8S	50	8.4	16.0	38.5	13.4	9.8	1/0	50	200
R 50-10S		10.5							
R 50-6		6.4							
R 50-8		8.4							
R 50-10		10.5							
R 50-12		13.0							
R 70-8	70	8.4	22.0	49.7	15.4	11.4	2/0	70	100
R 70-10		10.5							
R 70-12		13.0							
R 95-6	95	6.4	24.0	51.5	17.5	13.5	4/0	95	100
R 95-8		8.4							
R 95-10		10.5							
R 95-12		13.0							
R 120-8	120	8.4	27.0	54.4	19.4	15.0	250MCM	120	50
R 120-10		10.5							
R 120-12		13.0							
R 120-14		13.0							
R 120-16		15.0							

Item No.	TIS Wire Size mm ²	DIMENSIONS (MM.)					AWG	DIN mm ²	Q'TY in box
		d2ø	B	L	Dø	d1ø			
R 150-6	150	6.4	28.5	56.0	22.0	16.8	250-300 MCM	150	50
R 150-8		8.4							
R 150-10		10.5							
R 150-12		13.0							
R 185-12	185	13.0	36.0	67.5	25.9	19.5	300-500 MCM	185	25
R 185-14		15.0							
R 185-16		17.0							
R 185-18		19.0							
R 185-20	21.0	81.0							
R 240-12	240	13.0	38.5	70.3	29.0	22.0	350-500 MCM	240	25
R 240-14		15.0							
R 240-16		17.0							
R 240-18		19.0							
R 240-20	21.0	86.7							
R 300-12	300	13.0	44.0	72.0	32.0	24.0	600 MCM	300	20
R 300-14		15.0							
R 300-16		17.0							
R 300-18		19.0							
R 300-20	21.0	91.0							15
R 400-12	400	13.0	50.0	88.0	37.0	28.0	800 MCM	400	10
R 400-14		15.0							
R 400-16		17.0							
R 400-18		19.0							
R 400-20	21.0	105.5							



INSULATED RING TERMINALS

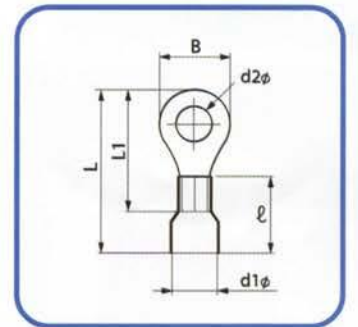
หางปลาถักหุ้ม

(RF TYPE)

Material: E-Copper

Surface: Tin plated

Insulation: PVC



Item No.	TIS Wire Size mm ²	DIMENSIONS (MM.)						Color	AWG	DIN mm ²	Q'TY in box
		d2ø	B	L	L1	l	d1ø				
RF 1.5-3	1.5	3.7	8.0	21.5	15.5	10.5	4.0	Red	22-16	0.5-1.5	2,000
RF 1.5-4		4.3									
RF 1.5-5		5.3									
RF 2.5-3	2.5	3.7	8.5	22.6	16.5	10.7	4.5	Blue	16-14	1.5-2.5	1,000
RF 2.5-4		4.3									
RF 2.5-5		5.3									
RF 2.5-6		6.4									
RF 4-4	4	4.3	8.8	25.2	18.4	13.5	6.0	Black	14-12	2.5-4	1,000
RF 4-5		5.3									
RF 4-6		6.4									
RF 6-4	6	4.3	9.5	26.4	19.8	13.5	6.5	Yellow	12-10	4-6	500
RF 6-5		5.3									
RF 6-6		6.4									
RF 6-8		8.4									
RF 6-10		10.5									