

# tend LIMIT SWITCH

## ลิมิตสวิตช์



### FEATURES

- High precision and long life (10,000,000 mechanical operations)
- Sealed with gasket diaphragm to provide high sealing property without use of any adhesive or pin.

### SPECIFICATIONS RATINGS

Rated voltage (V)	Non-inductive load(A)				Inductive load(A)			
	Resistive load		Lamp load		Inductive load		Motor load	
	NC	NO	NC	NO	NC	NO	NC	NO
125 V AC	10	3	1.5	10	5	2.5		
250 V AC	10	2.5	1.25	10	3	1.5		
480 V AC	3	1.5	0.75	2.5	1.5	0.75		
8 V AC	10	3	1.5	6	6	5		
14 V DC	10	3	1.5	6	6	5		
30 V DC	8	3	1.5	6	5	2.5		
125 V DC	0.5	0.4		0.05	0.05			
250 V DC	0.25	0.2		0.03	0.03			

- NOTES : 1. Inductive load : power factor = 0.4;  
time constant = 7 msec.
2. Lamp load has an inrush current of 10 times the steady-state current, while motor load has an inrush current of 6 times the steady-state current.

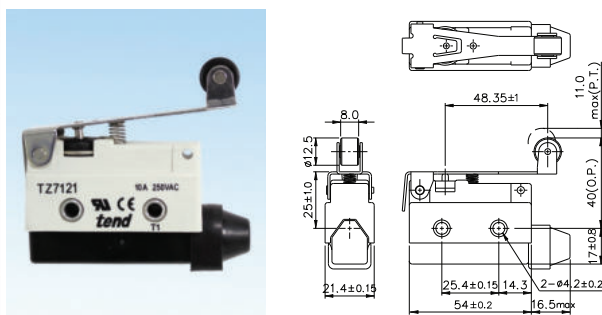
### OPERATING CHARACTERISTICS

Type	TZ-7100	TZ-7110	TZ-7310	TZ-7311	TZ-7312	TZ-7120	TZ-7140	TZ-7121	TZ-7141	TZ-7124	TZ-7144	TZ-7166
OF max	600 g	600 g	600 g	600 g	600 g	150 g	220 g	180 g	240 g	200 g	280 g	120 g
RF min	100 g	100 g	100 g	100 g	100 g	40 g	60 g	50 g	80 g	60 g	100 g	
PT max	2.0 mm	2.0 mm	2.0 mm	2.0 mm	2.0 mm	13.5 mm	8.5 mm	11.0 mm	6.5 mm	11.0 mm	6.5 mm	25 mm
OT min	0.8 mm	5.0 mm	6.0 mm	6.0 mm	6.0 mm	4.0 mm	2.5 mm	3.0 mm	2.0 mm	3.0 mm	2.0 mm	11 mm
MD max	0.8 mm	0.8 mm	0.8 mm	0.8 mm	0.8 mm	3.2 mm	2.0 mm	2.4 mm	1.5 mm	2.4 mm	1.5 mm	
OP	30.8±0.8mm	44±1.2mm	21.8±1.2 mm	33.3±1.2 mm	25±1 mm	25±1 mm	40±1 mm	40±1 mm	50±1.2 mm	50±1.2 mm		
FP max						35 mm	32 mm		46 mm		56 mm	

### DIMENSIONS

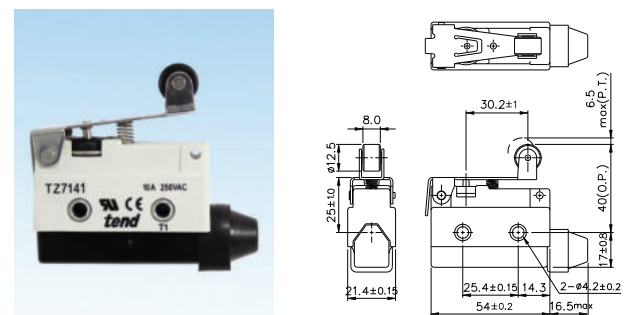
#### TZ-7121 (D4MC-2000)

315.-



#### TZ-7141 (D4MC-2020)

315.-

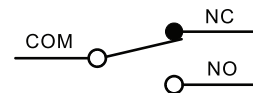


### CHARACTERISTICS

10A 250V AC

Operating speed	0.01 mm to 50 cm/sec (at pin plunger)
Operating frequency	120 operations/min.
Contact resistance	25 mΩ max. (initial)
Insulation resistance	100 MΩ max. (at 500 V DC)
Dielectric strength	1,000 V AC, 50/60 Hz for 1 minute between noncontinuous terminals 2,000 V AC, 50/60 Hz for 1 minute between current carrying and non-current carrying parts and between each terminal and ground
Vibration	Mechanical durability : 10 to 55 Hz 1.5 mm double amplitude
Shock	Mechanical durability : 1,000 m/sec <sup>2</sup> (approx. 100 G's) Malfunction durability : 300 m/sec <sup>2</sup> (approx. 30 G's)
Ambient emperature	Operating : -10° to +80°C
Humidity	95% RH max (at +20° to +35°C)
Service life	Mechanically : 10,000,000 operations min (at rated OT Value) Electrically : 500,000 operations min.
Weight	Approx. 60 g
Degree of protection	IEC : IP65

### CONTACT CONFIGURATION



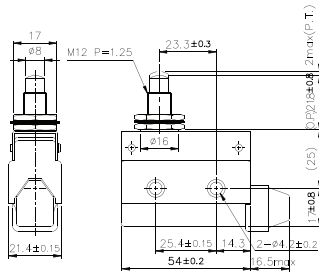
# tend LIMIT SWITCH

## ลิมิตสวิตช์



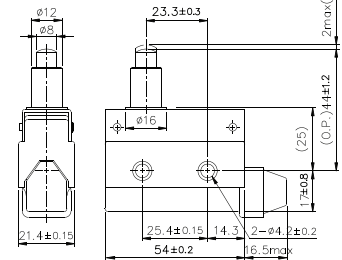
**TZ-7310(D4MC)-5000**

**390.-**



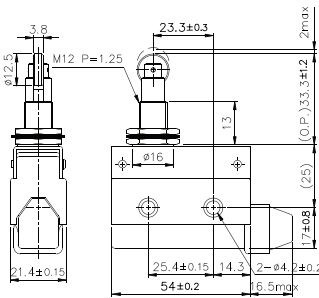
**TZ-7110**

**375.-**



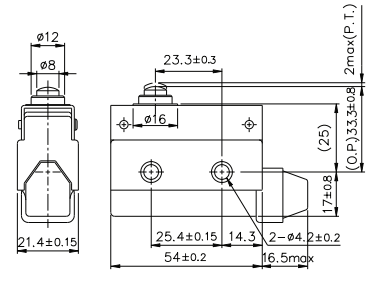
**TZ-7311(D4MC)-5020**

**385.-**



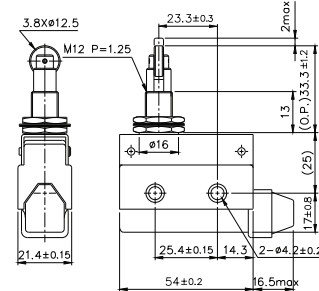
**TZ-7100**

**365.-**



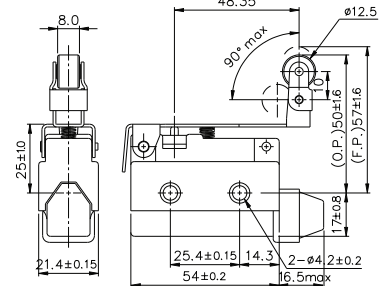
**TZ-7312(D4MC)-5040**

**385.-**



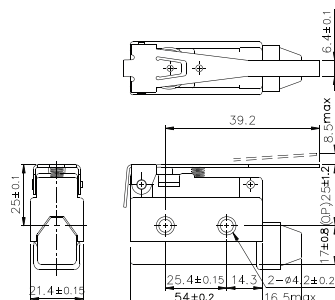
**TZ-7124**

**355.-**



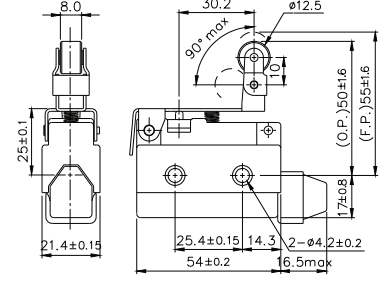
**TZ-7120(D4MC)-1000**

**295.-**



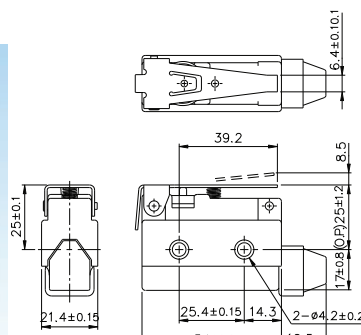
**TZ-7144(D4MC)-3030**

**352.-**



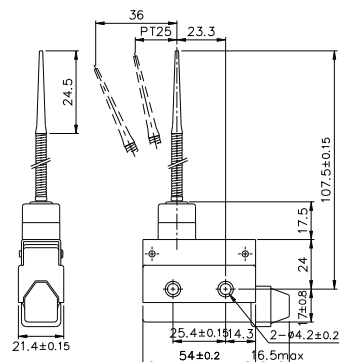
**TZ-7140(D4MC)-1020**

**295.-**



**TZ-7166(D4MC)-5000**

**470.-**



TEND

BANDEX

TAKAMURA

TEEFLEX

KENION

NISSEI

ROSI

APEKS

LKEW

TAC

MARLOW

HARU

WIND SPEED

COMMAX

ADVANTE

UNIVERSAL ADAPTER

ALION

EXOWELD

CONTROL MAX

JKN

SYLVIA

WANG

MACCON

NIZING

RISESUN

UNITUBE