

tend LIMIT SWITCH

ลิมิตสวิตช์ IP65



FEATURES

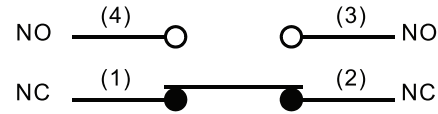
- Built-in basic switch with double spring mechanism
- Long life (10,000,000 mechanical operations)
- Highly rigid construction (Head and cover snugly fit in box)
- Dustproof and drip-proof construction
- Smooth operation with greater OT
- Easy-to-wire conduit opening design

SPECIFICATIONS RATINGS

Rated voltage (V)	Non-inductive load(A)				Inductive load(A)			
	Resistive load		Lamp load		Inductive load		Motor load	
	NC	NO	NC	NO	NC	NO	NC	NO
125 V AC	5	5	1.5	0.7	3	3	2	1
250 V AC	5	5	1	0.5	3	3	1.5	0.8
8 V AC	5	5	3	3	5	4	3	3
14 V DC	5	5	3	3	4	4	3	3
30 V DC	5	5	3	3	4	4	3	3
125 V DC	0.4	0.4						
250 V DC	0.2	0.2						
Inrush current	NC: 24A max. NO: 12A max.							

NOTES : 1. Inductive load has a power factor of 0.4 min. (AC) and a time constant of 7 msec. Max. (DC)
2. Lamp load has an inrush current of 10 times the steady-state current, while motor load has an inrush current of 6 times the steady-state current.

CONTACT CONFIGURATION



CHARACTERISTICS

Operating speed	0.5 mm to 50 cm/sec
Operating frequency	Mechanically: 120 operations/min Electrically: 30 operations/min
Contact resistance	15 mΩ max. (initial)
Insulation resistance	100 MΩ min. (at 500 V DC)
Dielectric strength	1,000 V AC, 50/60 Hz for 1 minute between noncontinuous terminals 1,500 V AC, 50/60 Hz for 1 minute between current carrying and non-current carrying parts and between each terminal and ground
Vibration	10 to 55 Hz 1.5 mm double amplitude
Shock	Mechanically durability: 1,000 m/S ² (approx. 100G'S) malfunction: 500 m/S ² (approx. 50G'S)
Ambient ermperture	Operating : -5 to +65°C
Humidity	95% RH max
Service life	Mechanically : 10,000,000 operations min. Electrically : 500,000 operations min.
Weight	Approx. 130 g to 190 g
Degree of protection	IEC : IP65

OPERATING CHARACTERISTICS

Type	TZ-8104	TZ-8108	TZ-8107	TZ-8111	TZ-8112 TZ-8122	TZ-8166, TZ-8167 TZ-8168, TZ-8169
Operating characteristics						
OF max	750 g	750 g	750 g	900 g	900 g	150 g
RF min	100 g	100 g	100 g	150 g	150 g	-
PT max	2.0°	2.0°	2.0°	1.5 mm	1.5 mm	30 mm
OT min	50°	50°	50°	4 mm	4 mm	-
MD max	12°	12°	12°	1 mm	1 mm	-
OP	-	-	-	26 ± 0.8 mm	37 ± 0.8 mm	-

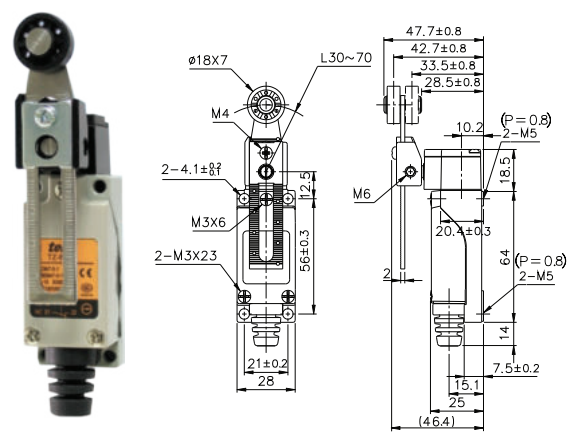
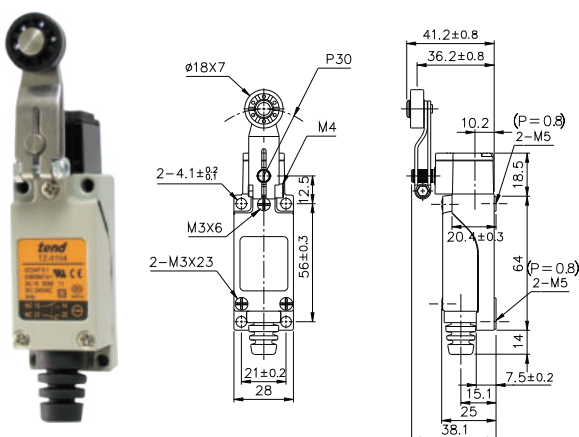
DIMENSIONS (Unless otherwise specified, a tolerance of ±0.4 mm applies to all dimensions.)

TZ-8104(HL-5000)

715.-

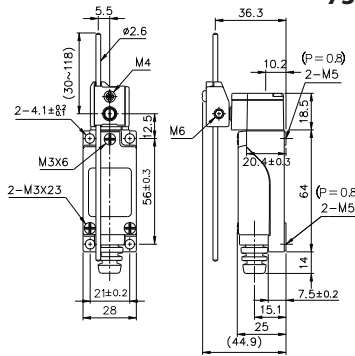
TZ-8108(HL-5030)

785.-

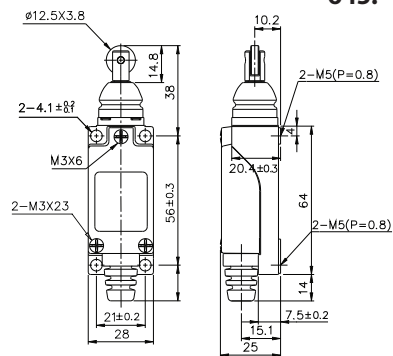


*ขอสงวนสิทธิ์ในการเปลี่ยนแปลงราคา

TZ-8107 (HL-5050)

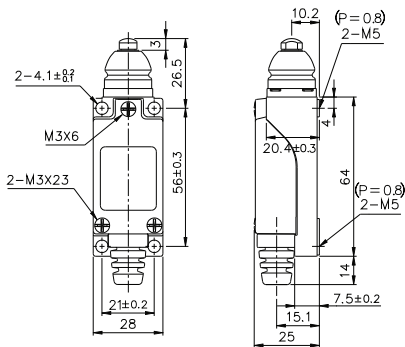


730.- TZ-8112 (HL-5200)



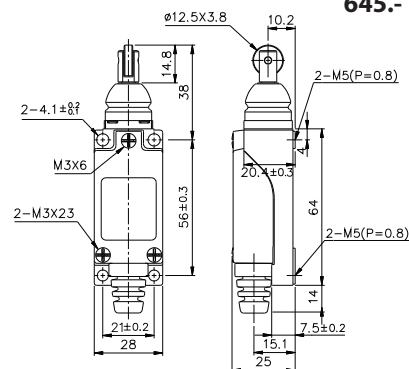
645.-

TZ-8111 (HL-5100)



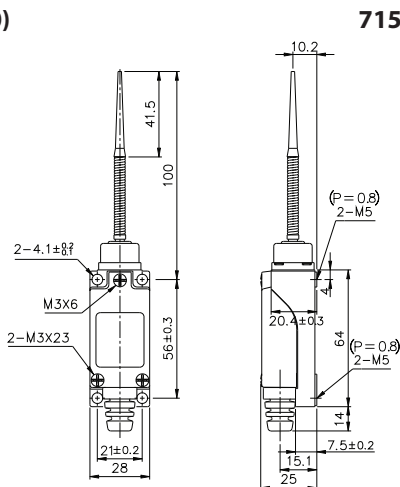
635.-

TZ-8122



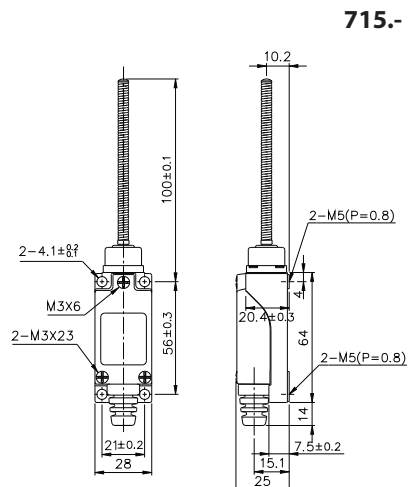
645.-

TZ-8166 (HL-5300)



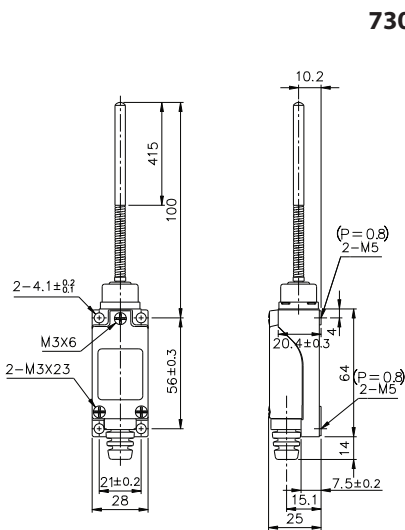
715.-

TZ-8167



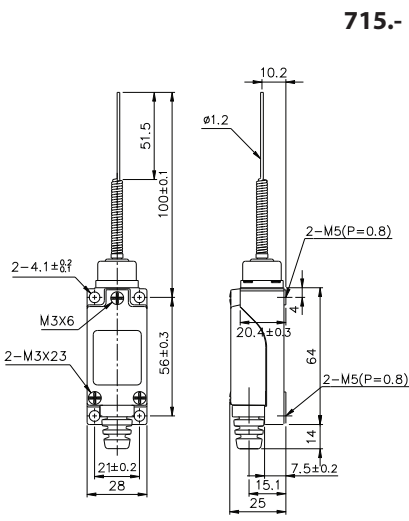
715.-

TZ-8168



730.-

TZ-8169



715.-